



Type VC67
DN 50 – 600
PN16-PN 40

Swing Check Valve

Butt-Welded, Flanged

Data Sheet

Edition: EN 9 / 2014

© VCEN VALVE CO.,LTD.
Anfeng industrial zone, Oubei, Zhejiang, China
T: +86 67969666, F: +86 67988805
E: vcen@vcenvalve.com, W: www.vcenvalve.com

We focus on quality
www.vcenvalve.com

Application

- Self-acting closing element; in case of “A” class leakage, an additional on-off valve should be added to the piping.
- **Fluids**
Water, steam, air, gas
- **Industry**
Power engineering, chemical and petrochemical industry

Technical description

- Swing check valve is bolted bonnet cap, swing Type, anti-rotation disc, renewable seat ring, non-penetrating disc shaft, the disc can be opened fully with a very small pressure differential.

Testing

- The valves are pressure tested by water for strength and tightness in accordance with EN-12266
Certification: PED/97/23/EC
- The minimum pressure for the strength testing is 1,5 x PN

Installation

- Swing check valve installation be installation to horizontal
- Direction of flow see body mark

Connection

- Butt-welded according to EN-12627, flanged according to EN-1092-1 or according to customer request
- Face to face dimension is according to EN-558-1 (DIN 3202 F1 F6 Series)

Materials of main parts

Pos.	Name	Material
1	Body	1.0619 (A216 WCB), 1.7357 (A217 WC6), 1.4408 (A351 CF8M)
2	Seat	13Cr, STL
3	Disc	1.0619 (A216 WCB), 1.7357 (A217 WC6), 1.4408 (A351 CF8M)
4	Disc nut	C.S,SS316
5	Arm	1.0619 (A216 WCB), 1.7357 (A217 WC6), 1.4408 (A351 CF8M)
6	Nut	A194 2H, A194 4, A194 8M
7	Bolt	A193 B7, A193 B16, A193 B8M
8	Gasket	GRAPHITE+SS304, SS316
9	Bonnet	1.0619 (A216 WCB), 1.7357 (A217 WC6), 1.4408 (A351 CF8M)
10	Eyebolt	C.S

Copyright

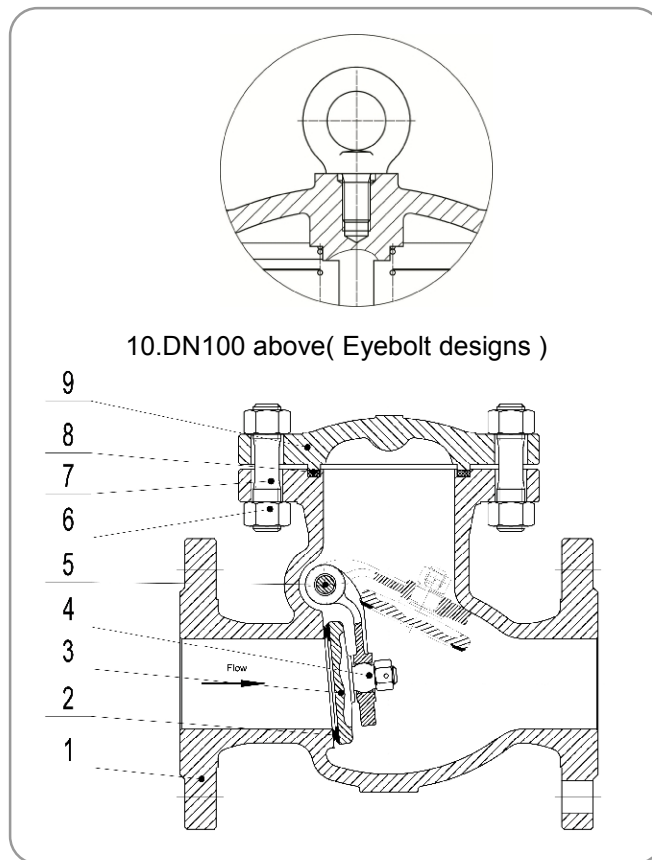
All rights reserved. No content provided herein may be copied, distributed or otherwise reproduced without previous written approval of the company
YONGJIA VCEN VALVE CO.,LTD

© VCEN VALVE CO.,LTD CHINA 2014

Contact

VCEN VALVE CO.,LTD
Anfeng Industrial Zone, Oubei Town, Yongjia County Wenzhou City, Zhejiang Province, China

T: +86 6796 9666
F: +86 6798 8805
E: vcen@vcenvalve.com
W: www.vcenvalve.com



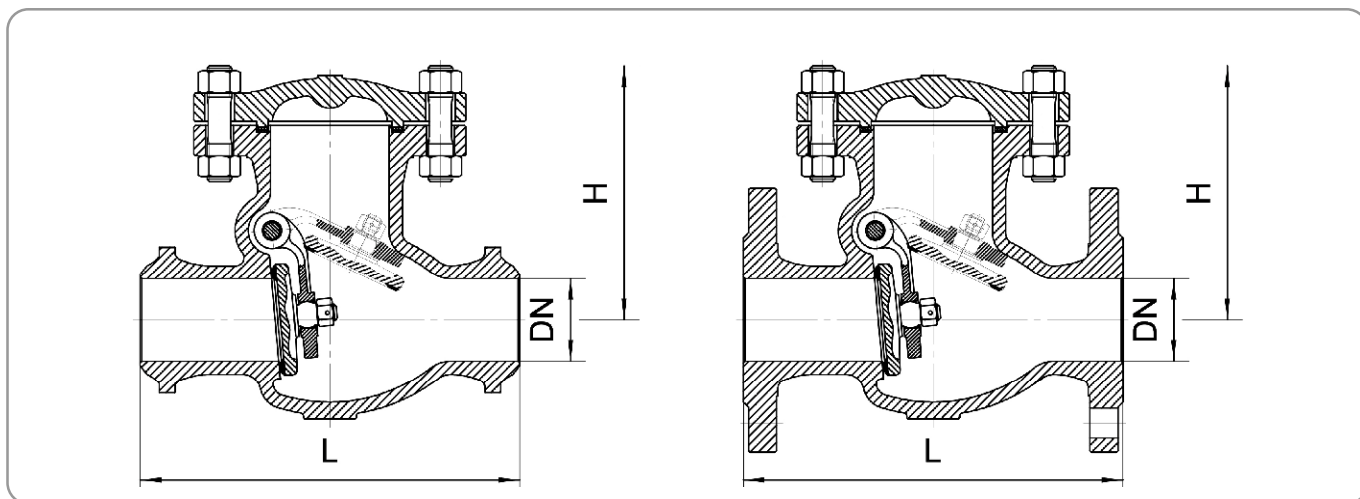
Operation

- Self-acting, by pressure of medium
- Can rocker and hinge pin use inside-set design

P-T data

Material	PN	Working pressure MPa / Working temperature °C													
		100	150	200	250	300	350	400	425	450	500	525	550	575	595
1.0619 (A216 WCB)	16	1.36	1.27	1.14	1.04	0.94	0.88	0.84	-	-	-	-	-	-	-
	25	2.13	1.98	1.78	1.62	1.47	1.37	1.32	-	-	-	-	-	-	-
	40	3.41	3.17	2.84	2.60	2.35	2.19	2.11	-	-	-	-	-	-	-
1.4408 (A351 CF8M)	16	1,33	1,2	1,1	1,02	0,96	0,91	0,87	0,86	0,86	0,83	-	-	-	-
	25	2,07	1,87	1,72	1,6	1,5	1,42	1,36	1,35	1,34	1,3	-	-	-	-
	40	3,32	2,99	2,75	2,56	2,41	2,27	2,18	2,16	2,14	2,08	-	-	-	-
1.7357 (A217 WC6)	16	1,63	1,58	1,49	1,43	1,33	1,23	1,15	1,11	1,07	0,89	0,68	0,35	0,28	0,2
	25	2,54	2,48	2,33	2,23	2,08	1,93	1,8	1,73	1,67	1,39	1,06	0,55	0,43	0,32
	40	4,07	3,96	3,74	3,57	3,33	3,09	2,89	2,77	2,67	2,23	1,7	0,88	0,69	0,52

Note: the temperature not listed in the table is selected by linear interpolation method.


Dimensions

DN	50	65	80	100	125	150	200	250	300	350	400	450	500	600
L(mm) For F6	200	240	260	300	350	400	500	600	700	800	900	1000	1100	1300
L(mm) For F1	230	290	310	350	400	480	600	730	850	980	1100	1200	1250	1450
H(mm) For F6	147	161	178	190	265	285	345	395	420	455	520	565	610	740
H(mm) For F1	152	178	185	210	290	310	365	445	480	510	545	595	655	860
Weight (kg) FL F1 series	PN16	17	25	32	37	52	76	120	210	320	420	640	950	1300
	PN25	18	28	42	62	83	137	220	310	400	545	730	1050	1400
	PN40	18	28	42	62	83	137	230	330	440	595	785	1100	1550
Weight (kg) BW for F1 series	PN16	10	17	22	25	35	54	86	155	240	300	500	620	850
	PN25	10	19	30	45	60	105	180	240	285	350	540	680	850
	PN40	10	19	30	45	60	105	180	240	285	350	540	680	850