



Type VC64  
DN 15 – DN400  
PN16-PN 40

## Y-Strainer

Butt-Welded, Flanged

### Data Sheet

Edition: EN 9 / 2014

© VCEN VALVE CO.,LTD.  
Anfeng industrial zone, Oubei, Zhejiang, China  
T: +86 67969666, F: +86 67988805  
E: [vcen@vcenvalve.com](mailto:vcen@vcenvalve.com), W: [www.vcenvalve.com](http://www.vcenvalve.com)

We focus on quality  
[www.vcenvalve.com](http://www.vcenvalve.com)

### Application

- Steam, water, oil or gas where protection from foreign matter in a pipeline is required.
- **Industry**  
Power engineering, chemical and petrochemical industry

### Technical description

- Y-Strainer are devices for mechanically removing solids from flowing media by means of a perforated or wire mesh straining element or basket, replaceable in line. They are used in pipelines to protect equipment such as pumps, meters, manual and control metal seated valves, steam traps and regulators

### Testing

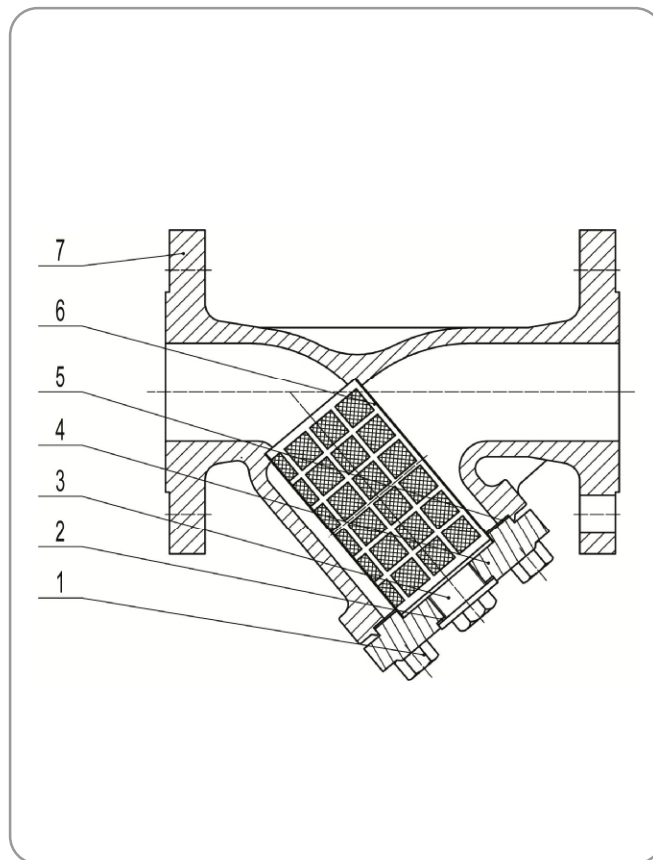
- The Y-strainer are pressure tested by water for strength in accordance with EN-12266 Certification: ED/97/23/EC
- The minimum pressure for the strength testing is 1,5 x PN

### Installation

- Y-Strainer can be installed at any position but you should as are the screen is downwards.
- Flow direction see body mark.

### Connection

- Butt-welded according to EN-12627, flanged according to EN-1092-1 or according to customer request
- Face to face dimension is according to EN-558-1



### Operation

- Self-acting, by pressure of medium

### Materials of main parts

Pos.	Name	Material
1	Bolt	A193 B7, A193 B16, A193 B8M
2	Sealing gasket	Cu Alloy,
3	Drain screw	A105, F316
4	Bonnet	1.0619 (A216 WCB), 1.7357 (A217 WC6), 1.4408 (A351 CF8M)
5	Gasket	GRAPHITE+SS304 or SS316
6	Screen	SS304/SS316
7	Body	1.0619 (A216 WCB), 1.7357 (A217 WC6), 1.4408 (A351 CF8M)

Note: The chart above only lists out some common composition of y-strainer parts. We may provide other different parts material composition according to the customer's request or the actual valve working condition.

### Copyright

All rights reserved. No content provided herein may be copied, distributed or otherwise reproduced without previous written approval of the company  
YONGJIA VCEN VALVE CO.,LTD

© VCEN VALVE CO.,LTD CHINA 2014

### Contact

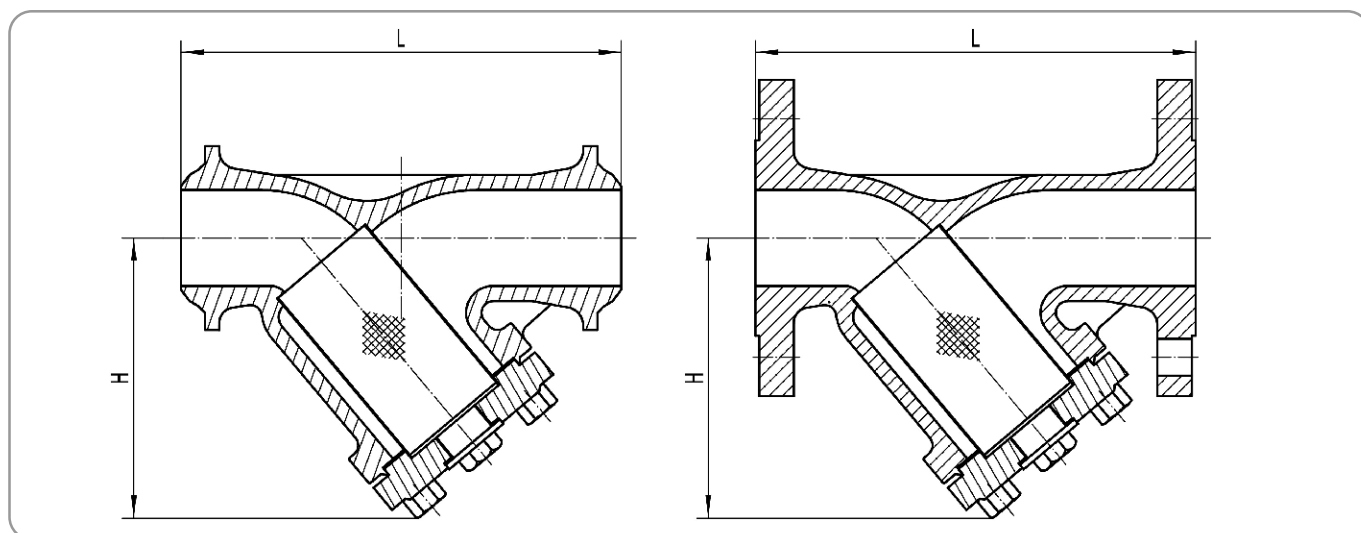
**VCEN VALVE CO.,LTD**  
Anfeng Industrial Zone, Oubei  
Town, Yongjia County Wenzhou  
City, Zhejiang Province, China

T: +86 6796 9666  
F: +86 6798 8805  
E: [vcen@vcenvalve.com](mailto:vcen@vcenvalve.com)  
W: [www.vcenvalve.com](http://www.vcenvalve.com)

**P-T data**

Material	PN	Working pressure MPa / Working temperature °C													
		100	150	200	250	300	350	400	425	450	500	525	550	575	595
1.0619 (A216 WCB)	16	1.36	1.27	1.14	1.04	0.94	0.88	0.84	-	-	-	-	-	-	-
	25	2.13	1.98	1.78	1.62	1.47	1.37	1.32	-	-	-	-	-	-	-
	40	3.41	3.17	2.84	2.60	2.35	2.19	2.11	-	-	-	-	-	-	-
1.4408 (A351 CF8M)	16	1,33	1,2	1,1	1,02	0,96	0,91	0,87	0,86	0,86	0,83	-	-	-	-
	25	2,07	1,87	1,72	1,6	1,5	1,42	1,36	1,35	1,34	1,3	-	-	-	-
	40	3,32	2,99	2,75	2,56	2,41	2,27	2,18	2,16	2,14	2,08	-	-	-	-
1.7357 (A217 WC6)	16	1,63	1,58	1,49	1,43	1,33	1,23	1,15	1,11	1,07	0,89	0,68	0,35	0,28	0,2
	25	2,54	2,48	2,33	2,23	2,08	1,93	1,8	1,73	1,67	1,39	1,06	0,55	0,43	0,32
	40	4,07	3,96	3,74	3,57	3,33	3,09	2,89	2,77	2,67	2,23	1,7	0,88	0,69	0,52

Note: the temperature not listed in the table is selected by linear interpolation method.


**Dimensions**

Note: The dimensions of flange end, please download the technology data from our website

DN	15	20	25	32	40	50	65	80	100	125	150	200	250	300	350	400	
L	130	150	160	180	200	230	290	310	350	400	480	600	730	850	980	1100	
H	72	88	105	110	130	140	170	190	240	290	340	425	515	615	725	835	
Weight (kg) FL	PN16	2.5	3.4	4.6	5.5	5.6	9.2	13.5	17.3	27	39	58	113	225	270	380	620
	PN25	2.5	3.4	4.6	5.5	5.6	9.4	15	20.2	32	47.5	70	121.5	230	290	430	680
	PN40	2.5	3.4	4.6	5.5	5.6	9.4	15	20.2	32	47.5	70	127.4	240	310	470	700
Weight (kg) BW	PN16	1.0	1.6	2.6	3.0	3.8	4.2	8.2	15	22	33	50	80	160	200	340	510
	PN25	1.0	1.6	2.6	3.0	3.8	4.2	8.2	15	22	33	50	80	160	200	340	510
	PN40	1.0	1.6	2.6	3.0	3.8	4.2	8.2	15	22	33	50	80	160	200	340	510
Kv (for mesh40)	6.3	11	17.5	28	44	69	118	178	270	420	620	1100	1700	2500	3400	4400	

1. woven wire medium for liquid

2. Dense woven wire medium for gas



<b>Table 1. Standard screen medium for liquid</b>																	
DN	15	20	25	32	40	50	65	80	100	125	150	200	250	300	350	400	
Kvs-values	6.3	11	17.5	28	44	69	118	178	270	420	620	1150	1700	2500	3400	4400	
Woven wire size	0.6mm					1.2mm					1.5mm						
Wire thickness	0.5mm					0.8mm					1.00mm						
<b>Table 2. Standard screen for Medium for gas</b>																	
DN	15	20	25	32	40	50	65	80	100	125	150	200	250	300	350	400	
Kvs-values	5.2	9.1	16.5	26	42	62	100	158	230	370	550	1000	1600	2400	3200	4200	
Dense woven wire size	60-100 Mesh																
Wire thickness	0.20 mm																