



Type VC60  
DN 15 – 400  
PN16-PN 40

## Bellow Seal Globe Valve

Butt-Welded, Flanged

### Data Sheet

Edition: EN 9 / 2014

© VCEN VALVE CO.,LTD.  
Anfeng industrial zone, Oubei, Zhejiang, China  
T: +86 67969666, F: +86 67988805  
E: [vcen@vcenvalve.com](mailto:vcen@vcenvalve.com), W: [www.vcenvalve.com](http://www.vcenvalve.com)

We focus on quality  
[www.vcenvalve.com](http://www.vcenvalve.com)

### Application

- Designed for closing or throttling the liquid and gaseous medium
- **Fluids**  
Water, steam, air, crude petroleum and petroleum products, natural gas, gas condensate, technological solutions, oxygen, liquid and non-aggressive gases
- **Industry**  
Power engineering, chemical and petrochemical industry

### Technical description

- Rising, non rotating stem
- Valve opening is provided slowly, with gradual suspension of the stroke, to prevent hydraulic and thermal shocks in the valve
- Shut-off valves can be operated in position open-close, throttling valve can be operated also in an intermediate position

### Testing

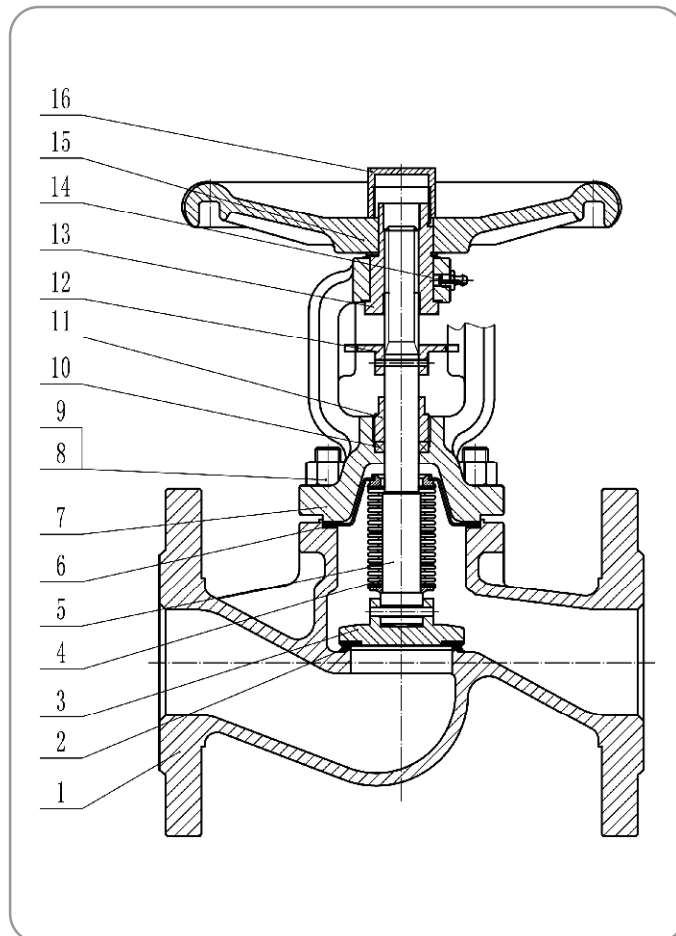
- The valves are pressure tested by water for strength and tightness in accordance with EN-12266  
Certification: PED/97/23/EC  
shell test : nominal pressure (PN)X1.5  
Tightness of seat : nominal pressure (PN)X1.1

### Installation

- The valve should only be installed in horizontal lines in an upright position
- Direction of flow see body mark

### Connection

- Butt-welded according to EN-12627, flanged according to EN1092-1 or to customer request
- Face to face dimensions according to EN-558-1



### Operation

- Hand wheel (with locking device, if required)
- Electric actuator
- Gear box
- Flange ISO 5210 (ready for actuator)

### Copyright

All rights reserved. No content provided herein may be copied, distributed or otherwise reproduced without previous written approval of the company  
YONGJIA VCEN VALVE CO.,LTD

### Contact

**VCEN VALVE CO.,LTD**  
Anfeng Industrial Zone,Oubei  
Town,Yongjia County Wenzhou  
City,Zhejiang Province,China

T: +86 6796 9666  
F: +86 6798 8805  
E: [vcen@vcenvalve.com](mailto:vcen@vcenvalve.com)  
W: [www.vcenvalve.com](http://www.vcenvalve.com)

© VCEN VALVE CO.,LTD CHINA 2014

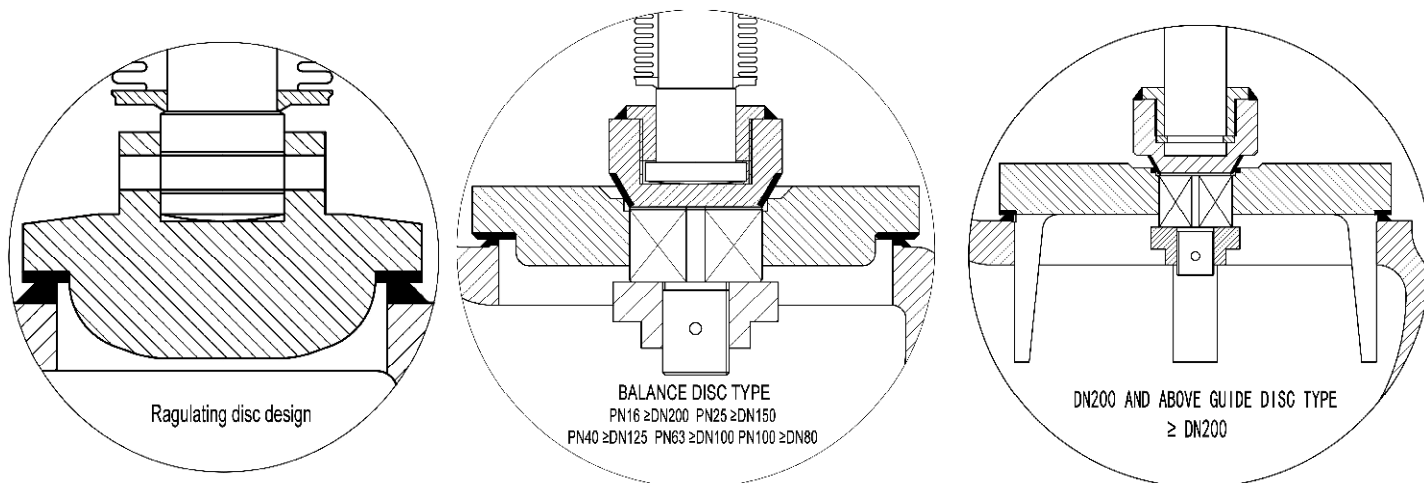
**Materials of main parts**

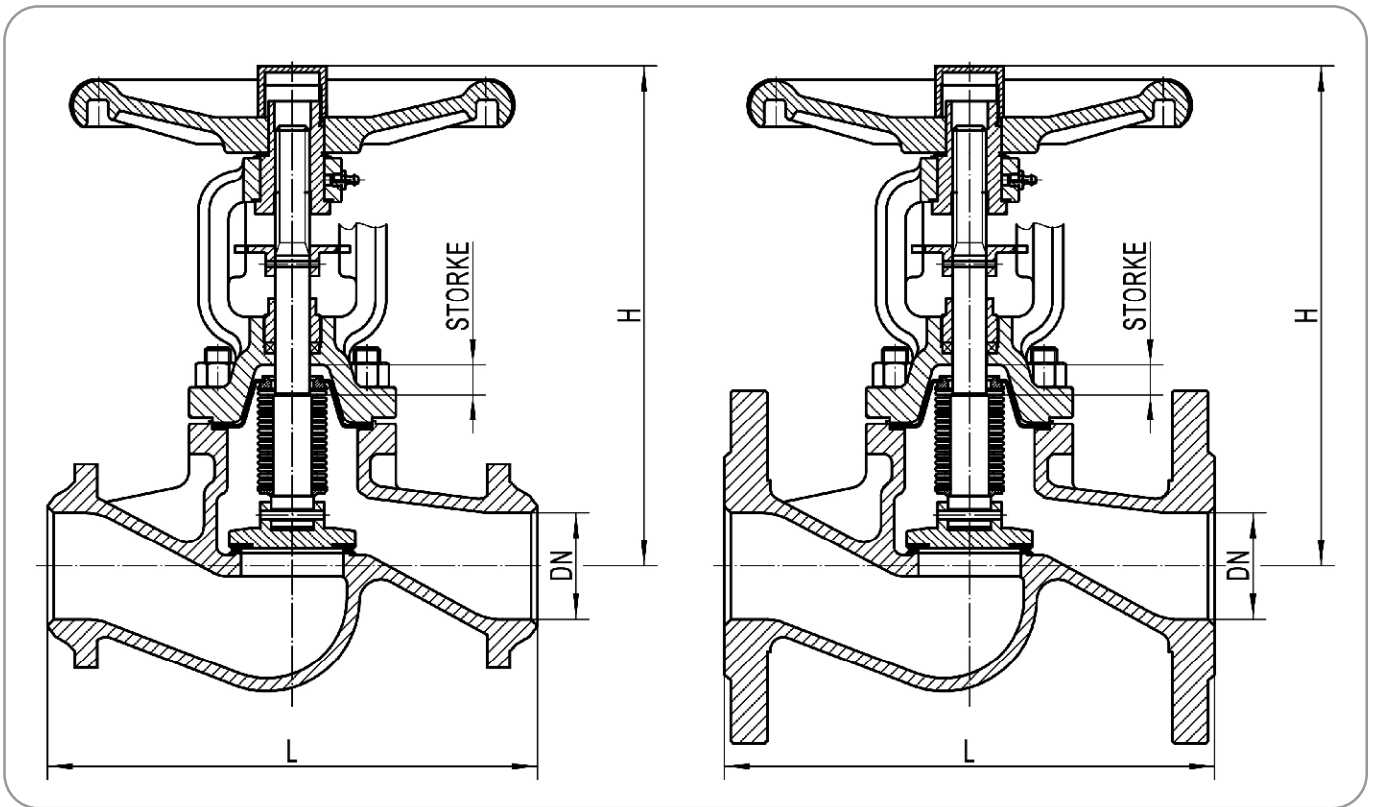
Pos.	Name	Material
1	Body	1.0619 (A216 WCB), 1.7357 (A217 WC6), 1.4408 (A351 CF8M)
2	Seat	13Cr, STL6
3	Disc	X20Cr13+QT ,A105,F316
4	Bellows	SS304, SS316L
5	Stem	X20Cr13, F316,
6	Gasket	Graphite + stainless steel
7	Bonnet	1.0619 (A216 WCB), 1.7357 (A217 WC6), 1.4408 (A351 CF8M)
8	Blot	A193 B7,A193 B16,A193 B8M
9	Nut	A194 2H,A194 4,A194 8M
10	Packing	Graphite
11	Gland	1.0619 (A216 WCB), 1.7357 (A217 WC6), 1.4408 (A351 CF8M)
12	No rot . Device	A105,F304
13	Stem nut	GGG40.3;Cu alloy
14	Grease nipple	Cu alloy
15	Handwheel	Steel
16	Lock Nut	C.S

**P-T data**

Materiál	PN	Pracovní tlak MPa / Pracovní teplota °C													
		100	150	200	250	300	350	400	425	450	500	525	550	575	595
1.0619 (A216 WCB)	16	1.36	1.27	1.14	1.04	0.94	0.88	0.84	-	-	-	-	-	-	-
	25	2.13	1.98	1.78	1.62	1.47	1.37	1.32	-	-	-	-	-	-	-
	40	3.41	3.17	2.84	2.60	2.35	2.19	2.11	-	-	-	-	-	-	-
1.4408 (A351 CF8M)	16	1,33	1,2	1,1	1,02	0,96	0,91	0,87	0,86	0,86	0,83	-	-	-	-
	25	2,07	1,87	1,72	1,6	1,5	1,42	1,36	1,35	1,34	1,3	-	-	-	-
	40	3,32	2,99	2,75	2,56	2,41	2,27	2,18	2,16	2,14	2,08	-	-	-	-
1.7357 (A217 WC6)	16	1,63	1,58	1,49	1,43	1,33	1,23	1,15	1,11	1,07	0,89	0,68	0,35	0,28	0,2
	25	2,54	2,48	2,33	2,23	2,08	1,93	1,8	1,73	1,67	1,39	1,06	0,55	0,43	0,32
	40	4,07	3,96	3,74	3,57	3,33	3,09	2,89	2,77	2,67	2,23	1,7	0,88	0,69	0,52

Note: the temperature not listed in the table is selected by linear interpolation method

**Disc type**




DN	15	20	25	32	40	50	65	80	100	125	150	200	250	300	350	400	
L	130	150	160	180	200	230	290	310	350	400	480	600	730	850	980	1100	
H	180	190	220	225	252	263	295	330	350	420	455	550	720	800	960	1060	
STORKE	8	8	10	10	15	15	18	22	28	33	38	55	70	78	100	115	
Weight (kg) FL	PN16	4	4.8	5.5	7	9	10.5	15	19.8	33.2	48.63	67.2	105	265	369	555	850
	PN25	4	4.8	5.5	7	9	11	15.8	21.8	37.5	55	78.5	121	295	388	620	880
	PN40	4	4.8	5.5	7	9	11	15.8	21.8	37.5	55	78.5	132	310	409	650	920
Weight (kg) BW	PN16	2.4	3	3.5	4	5	6	9	14	27	40	58	85	200	300	445	750
	PN25	2.4	3	3.5	4	5	6	9	14	27	40	58	95	215	325	470	785
	PN40	2.4	3	3.5	4	5	6	9	14	27	40	58	95	215	325	470	785
Kv	4.2	7.4	12	19	30	47	77	120	188	288	410	725	1145	1635	2225	2906	