



Type VC63
DN 40 – 1000
PN 6-PN16

Gate Valve

Flanged

Data Sheet

Edition: EN 9 / 2014

© VCEN VALVE CO.,LTD.
Anfeng industrial zone, Oubei, Zhejiang, China
T: +86 67969666, F: +86 67988805
E: vcen@vcenvalve.com, W: www.vcenvalve.com

We focus on quality
www.vcenvalve.com

Application

- Wedge gate valves are designed for general use pipelines in industrial systems, for the second group of fluids.
- They are designed to cut off the flow of industrial water, drinking water, steam, air.
- They are also used in chemical industry (for non aggressive and non toxic liquid and gas substances), petrochemical and refinery industries, coke and chemistry industry (coke-oven gas), extractive industry, mining industry, mining and metallurgical industry (post-floatation wastes).

Technical description

- Rising, non rotating stem
- Valve opening is provided slowly, with gradual suspension of the stroke, to prevent hydraulic and thermal shocks in the valve
- Shutt-off valves can be operated in position open-close, non throttling be operated also in an intermediate position

Requirements and testing

- The tests are carried out acc.to DIN EN12266-1 shell test : nominal pressure (PN)X1.5
Tightness of seat : nominal pressure (PN)X1.1
- Certificate of conformity in acc. with PN-EN 10204. Design acc. to PN-EN 12516-2.
- Valves have been submitted for appraisal of conformity according to the directive Pressure Equipment Directive 97/23/EC.

Installation

- They can be installed on pipelines in a vertical or horizontal and operating only when fully open or closed

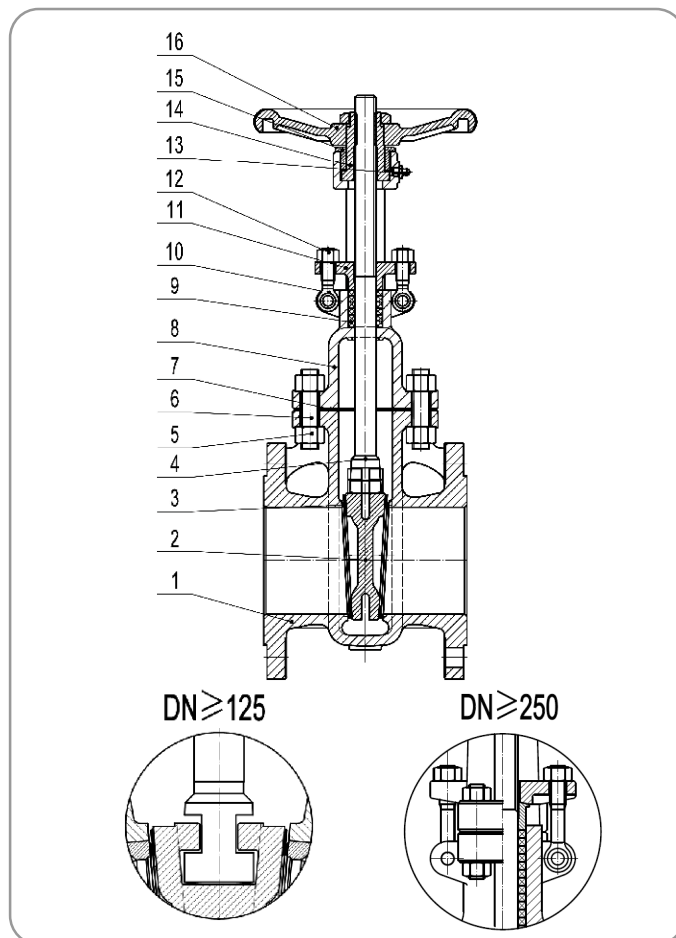
Connection

- Butt-welded according to EN-12627, flanged according to EN1092-1 or to customer request
- Face to face dimensions according to EN-558-1 14 Series(DIN 3202 F4 Series)

Copyright

All rights reserved. No content provided herein may be copied, distributed or otherwise reproduced without previous written approval of the company
YONGJIA VCEN VALVE CO.,LTD

© VCEN VALVE CO.,LTD CHINA 2014



Operation

- Hand wheel (if required)
- Electric actuator
- Gear box
- Flange ISO 5210 (ready for actuator)

Contact

VCEN VALVE CO.,LTD
Anfeng Industrial Zone,Oubei
Town,Yongjia County Wenzhou
City,Zhejiang Province,China

T: +86 6796 9666
F: +86 6798 8805
E: vcen@vcenvalve.com
W: www.vcenvalve.com

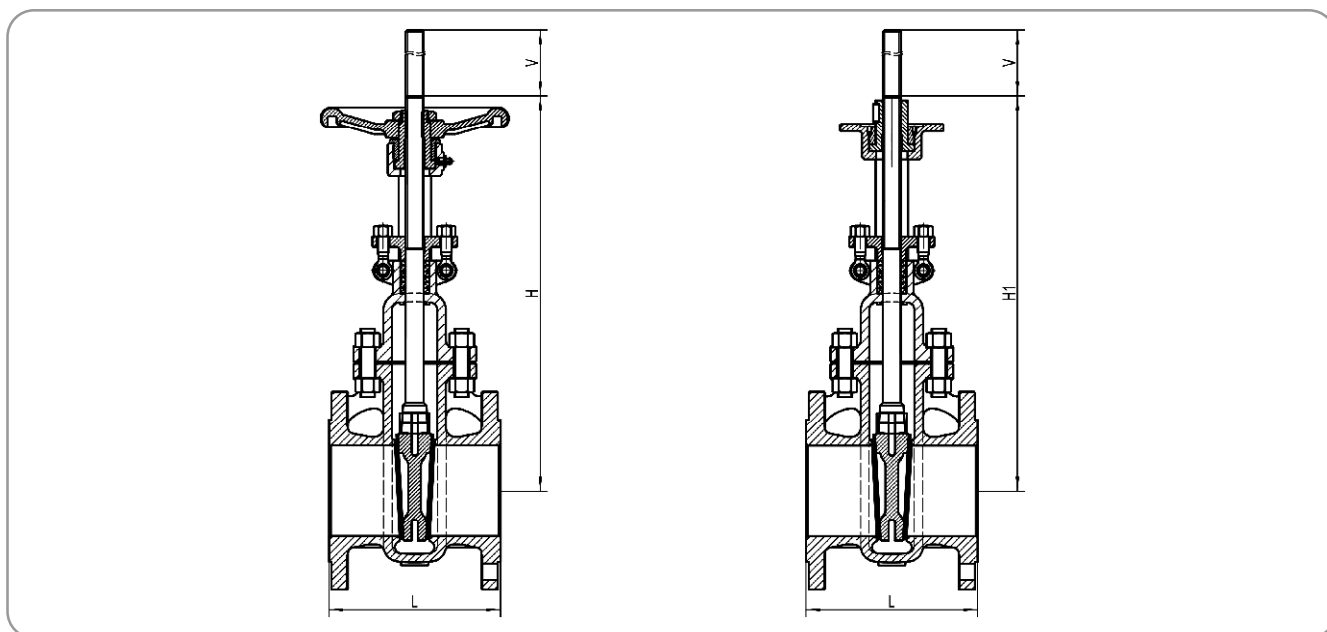
Materials of main parts

Pos.	Name	Material
1	Body	1.0619 (A216 WCB), 1.7357 (A217 WC6), 1.4408 (A351 CF8M)
2	Wedge	1.0619 (A216 WCB), 1.7357 (A217 WC6), 1.4408 (A351 CF8M)
3	Seat	13Cr, STL6
4	Stem	X20Cr13, F316,
5	Gasket	Graphite + stainless steel
6	Nut	A194 2H,A194 4,A194 8M
7	Blot	A193 B7,A193 B16,A193 B8M
8	Bonnet	1.0619 (A216 WCB), 1.7357 (A217 WC6), 1.4408 (A351 CF8M)
9	Packing	Graphite
10	Gland	1.0619 (A216 WCB), 1.7357 (A217 WC6), 1.4408 (A351 CF8M)
11	Eyelet bolt	A193 B7,A193 B16,A193 B8M
12	Nut	A194 2H,A194 4,A194 8M
13	Grease nipple	Cu alloy
14	Stem nut	GGG40.3;Cu alloy
15	Screw	C.S,SS316
16	Handwheel	C.S

P-T data

Materiál	PN	Pracovní tlak MPa / Pracovní teplota °C													
		100	150	200	250	300	350	400	425	450	500	525	550	575	595
1.0619 (A216 WCB)	16	1.36	1.27	1.14	1.04	0.94	0.88	0.84	-	-	-	-	-	-	-
	25	2.13	1.98	1.78	1.62	1.47	1.37	1.32	-	-	-	-	-	-	-
	40	3.41	3.17	2.84	2.60	2.35	2.19	2.11	-	-	-	-	-	-	-
1.4408 (A351 CF8M)	16	1,33	1,2	1,1	1,02	0,96	0,91	0,87	0,86	0,86	0,83	-	-	-	-
	25	2,07	1,87	1,72	1,6	1,5	1,42	1,36	1,35	1,34	1,3	-	-	-	-
	40	3,32	2,99	2,75	2,56	2,41	2,27	2,18	2,16	2,14	2,08	-	-	-	-
1.7357 (A217 WC6)	16	1,63	1,58	1,49	1,43	1,33	1,23	1,15	1,11	1,07	0,89	0,68	0,35	0,28	0,2
	25	2,54	2,48	2,33	2,23	2,08	1,93	1,8	1,73	1,67	1,39	1,06	0,55	0,43	0,32
	40	4,07	3,96	3,74	3,57	3,33	3,09	2,89	2,77	2,67	2,23	1,7	0,88	0,69	0,52

Note: the temperature not listed in the table is selected by linear interpolation method



Dimensions

PN	DN	L	H	V	Weight kg	H1	Torque	Top flange ISO 5210
		mm	mm	mm	FL	mm	Nm	
10/16	40	140	265	46	13	280	25	F7
	50	150	285	57	15	295	30	F10
	65	170	350	72	21	365	35	F10
	80	180	395	87	27	410	40	F10
	100	190	460	108	32	480	55	F10
	125	200	525	133	44	550	80	F10
	150	210	585	158	65	615	150	F14
	200	230	745	210	88	780	140	F14
	250	250	870	260	125	910	210	F14
	300	270	1040	312	155	1060	300	F14
	350	290	1140	360	280	1140	400	F14
	400	310	1295	412	390	1310	590	F16
	450	330	1380	460	495	1400	710	F25
	500	350	1535	512	600	1565	780	F25
	600	390	2435	610	780	2460	1280	F25
	700	430	2925	710	930	2970	2200	F30
	800	470	3150	810	1500	3190	2500	F30
	900	510	3670	910	1840	3700	3600	F35
1000	550	3900	1012	2800	3950	4700	F35	