

Bellow Seal Gate/Globe Valve

Butt welded, Flanged

Type VC70

2" – 16"

Class150-Class1500LB

Data Sheet

Edition: ANSI 9 / 2014

© VCEN VALVE CO.,LTD.
Anfeng industrial zone, Oubei, Zhejiang, China
T: +86 67969666, F: +86 67988805
E: vcen@vcenvalve.com, W: www.vcenvalve.com

We focus on quality
www.vcenvalve.com

Application

- Designed for closing or throttling the liquid and gaseous medium
- **Fluids**
Water, steam, air, crude petroleum and petroleum products, natural gas, gas condensate, technological solutions, oxygen, liquid and non-aggressive gases
- **Industry**
Power engineering, chemical and petrochemical industry

Technical innovation

- The necessary number of bellows of plies effective guarantee service life of the valve
- Globe valve with a guide disc, the valve can be installed vertically, and regulating function can be designed conveniently.
- The design of guide gasket strengthens the inflexibility of stem, avoids the fluttering phenomenon when medium passing by and improve the service life of bellows.
- As the secondary sealing device, flexible graphite sealing avoids medium leakage temporarily when bellows is damaged.
- The design of stop block ensures stem stroke strictly, protects bellows from out-of-stroke deformation, and ensures the service life of bellows

Testing

- The valves are pressure tested by water for strength and tightness in accordance with API598
Certification: PED/97/23/EC
shell test : nominal pressure (Class)X1.5
Tightness of seat : nominal pressure (Class)X1.1

Installation

- The valve should only be installed in horizontal lines in an upright position
- Direction of flow see body mark

Connection

- Butt-welded according to ANSI B16.25, flanged according to ANSI B16.5
- Design S.T.D : GATE VALVE API 600,
- Design S.T.D : GLOBE VALVE,BS1873
- Face to face dimensions according toANSI B16.10

Operation

- Hand wheel
- Electric actuator
- Flange ISO 5210 (ready for actuator)

Copyright

All rights reserved. No content provided herein may be copied, distributed or otherwise reproduced without previous written approval of the company
YONGJIA VCEN VALVE CO.,LTD

© VCEN VALVE CO.,LTD CHINA 2014

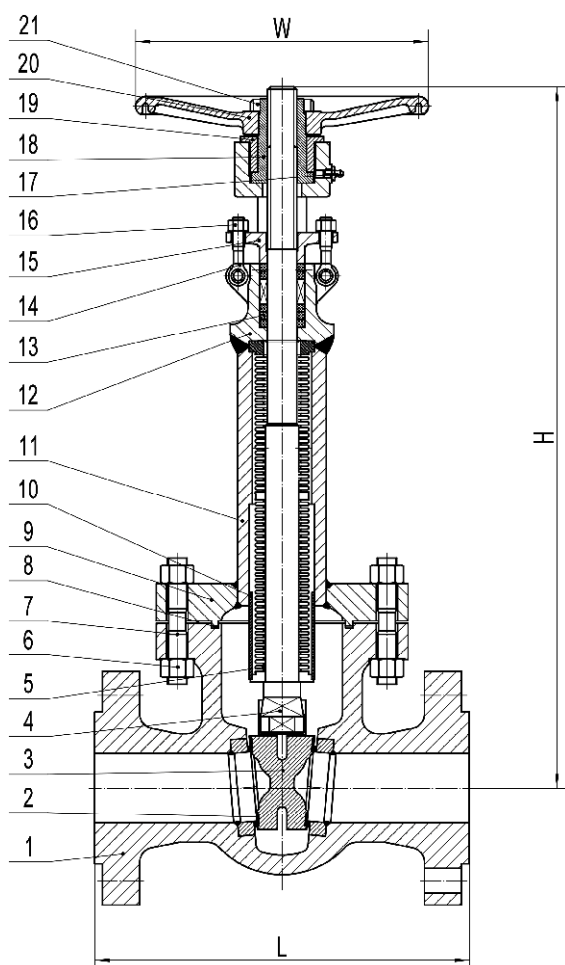
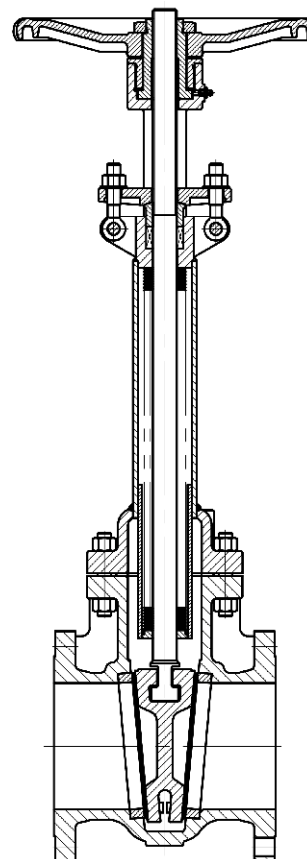
Contact

VCEN VALVE CO.,LTD
Anfeng Industrial Zone,Oubei
Town,Yongjia County Wenzhou
City,Zhejiang Province,China

T: +86 6796 9666
F: +86 6798 8805
E: vcen@vcenvalve.com
W: www.vcenvalve.com

OVAL BODY(150LB)




OVAL BODY(150LB)

Materials of main parts(For gate valve)

Pos.	Name	Material
1	Body	A216 WCB,A352 LCB,A182,A351 CF8 CF8M,A217 WC6
2	Seat	13Cr, STL6
3	Wedge	A216 WCB,A352 LCB,A182,A351 CF8 CF8M,A217 WC6
4	Stem	A182 F6a ,A182 F304,A182 F316,A182 F11
5	Bellows	SS304, SS316L
6	Nut	A194 2H,A194 8, A194 8M ,A194 4
7	Blot	A193 B7, A193 B8,A193 B8M, A193 B16,
8	Gasket	Graphite +SS304
9	Cover	A216 WCB,A352 LCB,A182,A351 CF8 CF8M,A217 WC6
10	Guide pipe	C.S,SS304,SS316L
11	Pipe	C.S,SS304,SS316
12	Yoke	A216 WCB,A352 LCB,A182,A351 CF8 CF8M,A217 WC6
13	Packing	Graphite
14	Eyelet Blot	A193 B7, A193 B8,A193 B8M ,A193 B16
15	Gland	A216 WCB,A352 LCB,A182,A351 CF8 CF8M,A217 WC6
16	Nut	A194 2H,A194 8, A194 8M ,A194 4
17	Grease nipple	Cu alloy
18	Stem nut	A276 410
19	Screw	C.S, S.S
20	Handwheel	A197
21	Lock Nut	ANSI 1035

FIG.GT001 BELLOW SEAL GATE VALVE 150LB(OVAL BODY)

SIZE	2"	2½"	3"	4"	5"	6"	8"	10"	12"	14"	16"	18"	20"	24"	---
L RF	178	191	203	229	254	267	292	330	356	381	406	432	457	508	---
L BW	216	241	282	305	381	403	419	457	502	571	610	660	711	813	---
D	152	178	191	229	254	279	343	406	483	533	597	635	699	813	---
W	200	200	225	250	250	300	400	500	500	600	600	700	700	800	---
H	610	675	820	940	1160	1530	1960	2350	2600	2980	3170	3550	4050	4650	---

FIG.GT002 BELLOW SEAL GATE VALVE 300LB

SIZE	2"	2½"	3"	4"	5"	6"	8"	10"	12"	14"	16"	18"	20"	24"	---
L RF/BW	216	241	282	305	381	403	419	457	502	762	838	914	991	1143	---
L RTJ	232	257	298	321	397	419	435	473	518	778	854	930	1010	1165	---
D	165	191	210	254	279	318	381	445	521	584	648	711	775	914	---
W	200	200	225	250	300	400	500	500	600	600	700	700	800	900	---
H	600	685	765	920	1070	1315	1700	2035	2395	2760	3135	3600	4080	4795	---

FIG.GT003 BELLOW SEAL GATE VALVE 600LB

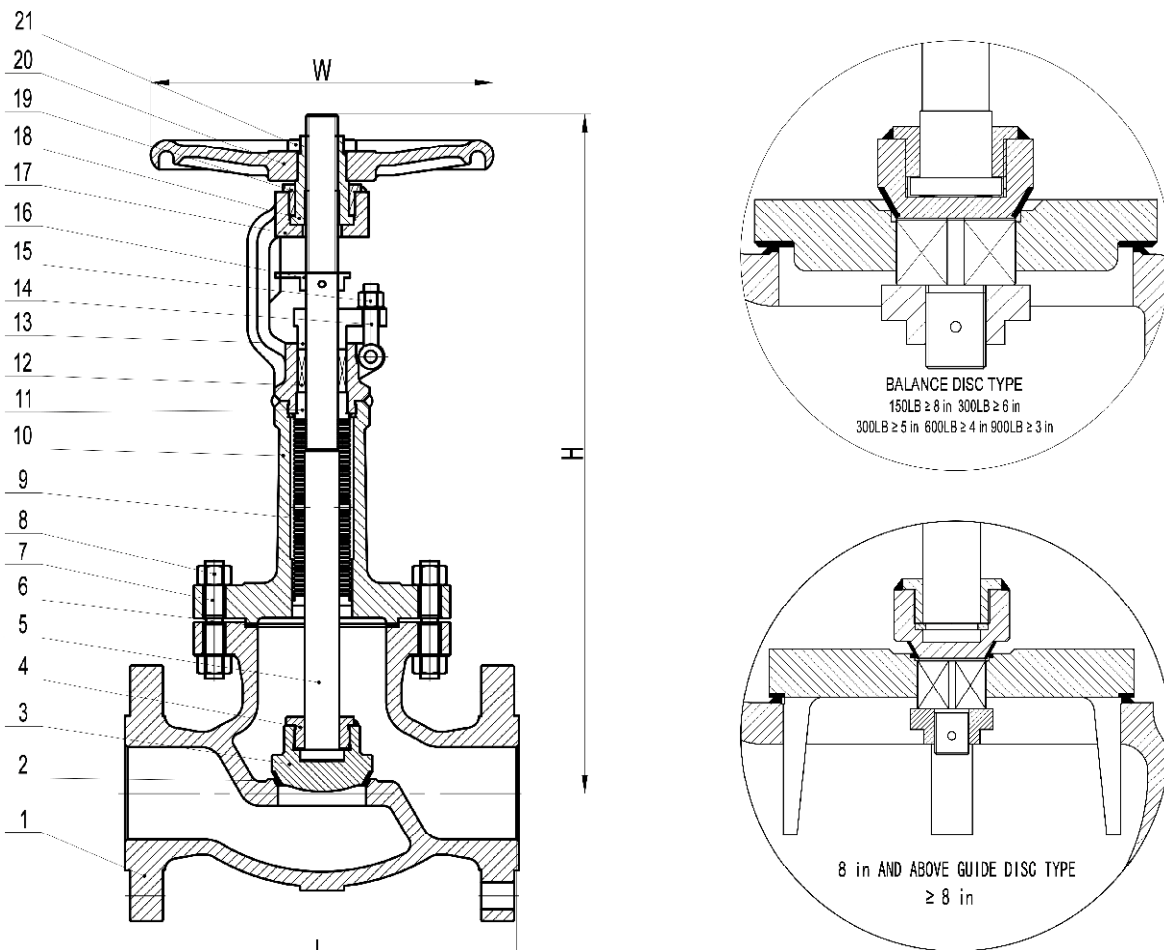
SIZE	2"	3"	4"	6"	8"	10"	12"	14"	16"	18"	20"	24"	---	---	---
L RF/BW	292	356	432	559	660	787	838	889	991	1092	1194	1397	---	---	---
L RTJ	295	359	435	562	663	791	841	892	994	1095	1200	1407	---	---	---
D	165	210	273	356	419	508	559	603	686	743	813	940	---	---	---
W	200	250	400	500	600	700	900	800	900	1000	1600	G.O.	---	---	---
H	640	805	905	1360	1720	2120	2500	---	---	---	---	---	---	---	---

FIG.GT004 BELLOW SEAL GATE VALVE 900LB

SIZE	2"	3"	4"	6"	8"	10"	12"	14"	16"
L RF/BW	368	381	457	610	737	838	965	1029	1130
L RTJ	371	384	460	613	740	841	968	1038	1140
D	216	241	292	381	470	546	610	641	705
W	250	300	400	600	650	700	900	1000	G.O.
H	---	---	---	---	---	---	---	---	---

FIG.GT005 BELLOW SEAL GATE VALVE 1500LB

SIZE	2"	3"	4"	6"	8"	10"	12"	14"	16"
L RF/BW	368	470	546	705	832	991	1130	1257	1384
L RTJ	371	473	549	711	842	1000	1146	1276	1407
D	216	267	311	394	483	584	673	749	826
W	250	400	500	600	700	900	1600	1600	1600
H	---	---	---	---	---	---	---	---	---


Materials of main parts(For globe valve)

Pos.	Name	Material
1	Body	A216 WCB,A352 LCB,A182,A351 CF8 CF8M,A217 WC6
2	Seat	13Cr, STL6
3	Disc	A216 WCB,A352 LCB,A182,A351 CF8 CF8M,A217 WC6
4	Disc screw	C.S,SS304,SS316
5	Stem	A182 F6a ,A182 F304,A182 F316,A182 F11
6	Gasket	Graphite +SS304
7	Blot	A193 B7, A193 B8,A193 B8M, A193 B16,
8	Nut	A194 2H,A194 8, A194 8M ,A194 4
9	Bellows	SS304, SS316L
10	Cover	A216 WCB,A352 LCB,A182,A351 CF8 CF8M,A217 WC6
11	Packing seat	SS304,SS316L
12	Packing	Graphite,PTFE
13	Gland	A216 WCB,A352 LCB,A182,A351 CF8 CF8M,A217 WC6
14	Nut	A194 2H,A194 8, A194 8M ,A194 4
15	Eyelet Blot	A193 B7, A193 B8,A193 B8M ,A193 B16
16	No rot. Device	A105,F304
17	Yoke	A216 WCB,A352 LCB,A182,A351 CF8 CF8M,A217 WC6
18	Stem nut	A276 410
19	Screw	C.S, S.S
20	Handwheel	A197
21	Lock Nut	ANSI 1035

FIG.GV001 BELLOW SEAL GLOBE VALVE 150LB

SIZE	2"	2½"	3"	4"	5"	6"	8"	10"	12"	14"	16"	--	--	--	--
L RF/BW	203	216	241	292	356	406	495	622	699	787	914	-	-	-	-
L RTJ	216	219	254	305	368	419	508	635	711	800	927	-	-	-	-
D	152	178	191	229	254	279	343	406	483	533	597	-	-	-	-
W	200	200	200	250	300	300	400*	500*	500*	600*	600*	-	-	-	-
H	340	370	400	440	500	580	700	800	900	970	1270	-	-	-	-

FIG.GV002 BELLOW SEAL GLOBE VALVE 300LB

SIZE	2"	2½"	3"	4"	5"	6"	8"	10"	12"	14"	16"	--	--	--	--
L RF/BW	267	292	318	356	400	445	533	622	711	838	864	-	-	-	-
L RTJ	282	308	333	371	416	460	549	638	727	854	879	-	-	-	-
D	165	191	210	254	279	318	381	445	521	584	648	-	-	-	-
W	200	200	250	300	300	400*	500*	500*	500*	600*	600*	-	-	-	-
H	410	420	430	44	590	820	880	950	1050	1200	1440	-	-	-	-

FIG.GV003 BELLOW SEAL GLOBE VALVE 600LB

SIZE	2"	2½"	3"	4"	5"	6"	8"	10"	12"	14"	16"	--	--	--	--
L RF/BW	292	330	356	432	508	559	660	787	838	889	991	-	-	-	-
L RTJ	295	333	359	435	511	562	663	790	841	892	994	-	-	-	-
D	165	191	210	273	330	356	419	508	559	603	686	-	-	-	-
W	200	250	250	300*	350*	400*	500*	500*	600*	600*	600*	-	-	-	-
H	370	525	565	620	700	800	860	1280	1350	1490	1720	-	-	-	-

FIG.GV004 BELLOW SEAL GLOBE VALVE 900LB

SIZE	2"	2½"	3"	4"	5"	6"	8"	10"	12"
L RF/BW	368	419	381	457	559	610	737	838	965
L RTJ	371	422	384	460	562	613	740	842	968
D	216	244	241	292	349	381	470	546	610
W	250	250	350*	500*	650*	700*	900*	1000*	1000*
H	590	710	610	750	890	1000	1170	1540	1720

FIG.GV005 BELLOW SEAL GLOBE VALVE 1500LB

SIZE	2"	2½"	3"	4"	5"	6"	8"	10"	12"
L RF/BW	368	419	470	546	673	705	832	991	1130
L RTJ	371	422	473	549	676	711	842	1000	1146
D	216	244	267	311	375	394	483	584	673
W	250*	250*	400*	500*	700*	900*	1000*	1000*	1000*
H	590	710	790	860	930	1000	1100	1720	1810