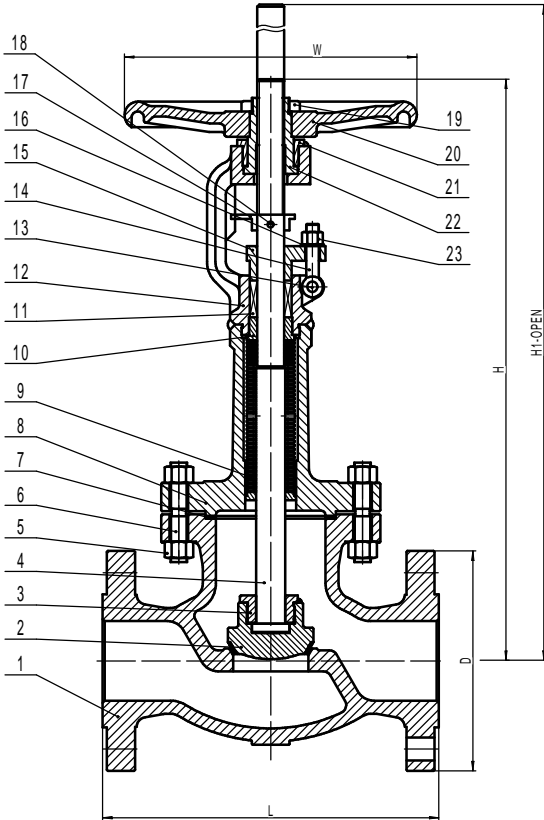
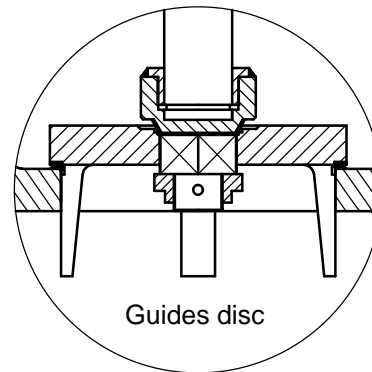




standard features

- **Description** BOLTED BONNET
OUTSIDE SCREW AND YOKE
RISING STEM
NON RISING HANDWHEEL
RENEWABLE SEATS
- **Design** BS 1873
ASME B16.34
WALL THICKNESS TO API 600
- **Face to face** ASME B16.10
- **Flanges** ASME B16.5
BW ENDS TO ASME B16.25
- **Testing** API 598
API 6D
BS 6755
- **Rating** ASME B16.34
- **Marking** MSS-SP 25
CE - PED
- **Certificates** EN 10204 – 3.1

Greater than NPS 8" Balance disc as follow:



Maximum pressure under the disc

DN	3"	4"	5"	6"	8"	10"	12"	14"	16"
Δp bar	85	60	35	21	14	9	6	5	4

If higher, valve to be mounted with gear operator or with pressure above the disc and fitted with external or internal bypass.

PART NAME	MATERIAL									
1 Body	W CB	LCB	WC 6	C 5	C 12	CF 8	CF 8C	CF 8M	CF 3M	
2 Disc seat surface	F 6A (2)	F 6A (2)	F 6A (2)	F 6A (2)	F 6A (2)	F 304 (2)	F 321 (2)	F 316 (2)	F 316L (2)	
* Seat surface	F 6A (1)	F 6A (1)	F 6A (1)	F 6A (1)	F 6A (1)	F 304 (1)	F 321 (1)	F 316 (1)	F 316L (1)	
3 Screw	C.S	C.S	F 6A	F 6A	F 6A	F 304	F 321	F 316	F 316L	
4 Stem	F 6A (3)	F 6A (3)	F 6A (3)	F 6A (3)	F 6A (3)	F 304 (3)	F 321 (3)	F 316 (3)	F 316L (3)	
5 Nuts	2H	G 7	G 4	G 4	G 4	G 8	8M	8M	8M	
6 Bolts	B 7	L 7	B 16	B 16	B 16	B 8	B 8M	B 8M	B 8M	
7 Gasket				S.S. spiral wound reinf. graphite / RTJ (5)						
8 Bonnet	W CB	LCB	WC 6	C 5	C 12	CF 8	CF 8C	CF 8M	CF 3M	
9 Bellows					SS304 and SS316					
10 Packing gasket					SS304 and SS316					
11 Packing					Graphite rings & wiper rings (6)					
12 Yoke	W CB	LCB	WC 6	C 5	C 12	CF 8	CF 8C	CF 8M	CF 3M	
13 Pin					SS304 and SS316					
14 Eye Bolts	B 7	L 7	B 16	B 16	B 16	B 8	B 8M	B 8M	B 8M	
15 Gland flange	W CB	LCB	WC 6	C 5	C 12	CF 8	CF 8C	CF 8M	CF 3M	
16 Washer					SS304					
17 No rot. Device	F 6A	F 6A	F 6A	F 6A	F 6A	F 304	F 321	F 316	F 316L	
18 Pin					SS304 and SS316					
19 Handwheel nut					A105					
20 Handwheel					Steel					
21 Screw	C.S	C.S	F 6A	F 6A	F 6A	F 304	F 321	F 316	F 316L	
22 Yoke sleeve	GGG40.3(4)	GGG40.3(4)	Nod.Iron	Nod.Iron	Nod.Iron	B 148 9A (4)	B 148 9A (4)	B 148 9A (4)	B 148 9A	
23 Nuts	2H	G 7	G 4	G 4	G 4	G 8	8M	8M	8M	

(1) On request: faced with Stellite® - Monel® - Hastelloy® - other materials

(2) On request: faced with Stellite® - Monel® - Hastelloy® - other materials

(3) On request: 17 Cr - Monel® - Hastelloy® - other materials

(4) On request: Nodular Iron - Nitronic 60

(5) On request: PTFE - other materials

(6) On request: PTFE - other materials

All data, subject to technical changes, are only for information and not for official use.





FIG. S. W001 GLOBE VALVES BELLOW SEAL ASME CLASS 150

SIZE	2"	2½"	3"	4"	5"	6"	8"	10"	12"	14"	16"	--	--	--	--
L RF/BW	203	216	241	292	356	406	495	622	699	787	914	--	--	--	--
L RTJ	216	219	254	305	368	419	508	635	711	800	927	--	--	--	--
D	152	178	191	229	254	279	343	406	483	533	597	--	--	--	--
W	200	200	200	250	300	300	400*	500*	500*	600*	600*	--	--	--	--
H	340	370	400	440	500	580	700	800	900	970	1270	--	--	--	--
H1	355	390	424	470	538	625	760	875	990	1090	1410	--	--	--	--

FIG. S. W002 GLOBE VALVES BELLOW SEAL ASME CLASS 300

SIZE	2"	2½"	3"	4"	5"	6"	8"	10"	12"	14"	16"	--	--	--	--
L RF/BW	267	292	318	356	400	445	533	622	711	838	864	--	--	--	--
L RTJ	282	308	333	371	416	460	549	638	727	854	879	--	--	--	--
D	165	191	210	254	279	318	381	445	521	584	648	--	--	--	--
W	200	200	250	300	300	400*	500*	500*	500*	600*	600*	--	--	--	--
H	410	420	430	44	590	820	880	950	1050	1200	1440	--	--	--	--
H1	425	440	454	74	628	880	945	1025	1140	1320	1800	--	--	--	--

FIG. S. W003 - GLOBE VALVES BELLOW SEAL ASME CLASS 600

SIZE	2"	2½"	3"	4"	5"	6"	8"	10"	12"	14"	16"	--	--	--	--
L RF/BW	292	330	356	432	508	559	660	787	838	889	991	--	--	--	--
L RTJ	295	333	359	435	511	562	663	790	841	892	994	--	--	--	--
D	165	191	210	273	330	356	419	508	559	603	686	--	--	--	--
W	200	250	250	300*	350*	400*	500*	500*	600*	600*	600*	--	--	--	--
H	370	525	565	620	700	800	860	1280	1350	1490	1720	--	--	--	--
H1	385	545	589	650	738	845	920	1355	1440	1630	2100	--	--	--	--

FIG. S. W004 - GLOBE VALVES BELLOW SEAL ASME CLASS 900

SIZE	2"	2½"	3"	4"	5"	6"	8"	10"	12"
L RF/BW	368	419	381	457	559	610	737	838	965
L RTJ	371	422	384	460	562	613	740	842	968
D	216	244	241	292	349	381	470	546	610
W	250	250	350*	500*	650*	700*	900*	1000*	1000*
H	590	710	610	750	890	1000	1170	1540	1720
H1	605	730	634	780	928	1045	1230	1615	1810

FIG. S. W005 - GLOBE VALVES BELLOW SEAL ASME CLASS 1500

SIZE	2"	2½"	3"	4"	5"	6"	8"	10"	12"
L RF/BW	368	419	470	546	673	705	832	991	1130
L RTJ	371	422	473	549	676	711	842	1000	1146
D	216	244	267	311	375	394	483	584	673
W	250*	250*	400*	500*	700*	900*	1000*	1000*	1000*
H	590	710	790	860	930	1000	1100	1720	1810
H1	605	730	814	890	968	1045	1160	1795	1950

* Gear operator recommended

Product Photo



All dimensions in mm (except where differently indicated)

All data, subject to technical changes, are only for information and not for official use.

