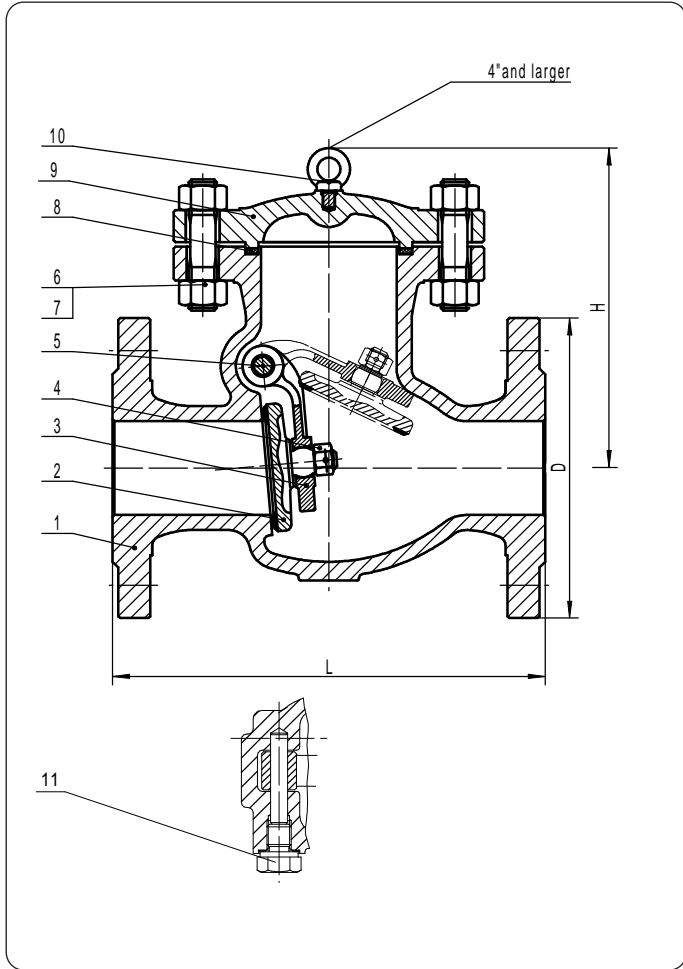


# SWING CHECK VALVES

## DIN PN 16 - 25 - 40



### standard features

- **Description** FULL OPENING  
BOLTED COVER  
LAPPED DISC AND SEAT  
RENEWABLE SEAT
- **Design** DIN 3352  
DIN 3840
- **Face to face** EN 558-1  
DIN3202 F6 AND F1
- **Flanges** EN1092-B1
- **Butt welded** EN12627 AND DIN 3239
- **Testing** EN 12266
- **Rating** DIN 2401
- **Marking** EN 19  
CE - PED
- **Certificates** EN 10204 – 3.1

PART NAME	MATERIAL			
<b>1 Body</b>	1.0619	1.4308	1.4408	WC6(1.7357)
<b>2 Disc seat surface</b>	1.0619 (2)	1.4308 (2)	1.4408 (2)	WC6(1.7357) (2)
<b>* Seat surface</b>	13Cr (1)	SS304 (1)	SS316 (1)	13Cr(1)
<b>3 Disc Nut</b>	A194 2H	A193 8	A193 8M	A193 4
<b>4 Arm</b>	1.0619	1.4308	1.4408	WC6(1.7357)
<b>5 Arm pin</b>	X20Cr13	SS304	SS316	X20Cr13
<b>6 Bolts</b>	A193 B7	A193 B8	A193 B8M	A193 B16
<b>7 Nut</b>	A194 2H	A194 8	A194 8M	A194 4
<b>8 Gasket</b>	← S.S. spiral wound reinforced graphite (4) →			
<b>9 Cover</b>	1.0619	1.4308	1.4408	WC6(1.7357)
<b>10 Eye bolt</b>	A194 2H	A194 8	A194 8M	A194 4
<b>11 Plug</b>	1.0619	1.4308	1.4408	WC6(1.7357)

(1) On request: faced with Stellite<sup>®</sup> - Monel<sup>®</sup> - Hastelloy<sup>®</sup> - other materials  
 (2) On request: faced with Stellite<sup>®</sup> - Monel<sup>®</sup> - Hastelloy<sup>®</sup> - other materials  
 (3) On request: 18 Cr - Monel<sup>®</sup> - Hastelloy<sup>®</sup> - other materials

(4) On request: PTFE - other materials

# SWING CHECK VALVES DIN PN 16 - 25 - 40



**FIG. 1311 - SWING CHECK VALVES DIN PN 16 - F6**

SIZE DN	50	65	80	100	125	150	200	250	300	350	400	500	600	700	800	900	1000
L RF/BW	200	240	260	300	350	400	500	600	700	800	900	1100	1300	1500	1700	1900	2100
D	165	185	200	220	250	285	340	405	460	520	580	715	840	910	1025	1125	1255
H	150	180	200	225	270	300	355	390	445	495	530	620	730	--	--	--	--

**FIG. 1312 - SWING CHECK VALVES DIN PN 16 - F1**

SIZE DN	50	65	80	100	125	150	200	250	300	350	400	500	600	700	800	900	1000
L RF/BW	230	290	310	350	400	480	600	730	850	980	1100	1250	1450	1650	1850	2050	2250
D	165	185	200	220	250	285	340	405	460	520	580	715	840	910	1025	1125	1255
H	150	180	200	225	270	300	355	390	445	495	530	620	730	--	--	--	--

**FIG. 1313 - SWING CHECK VALVES DIN PN 25 - F1**

SIZE DN	50	65	80	100	125	150	200	250	300	350	400	500	600	700	800	900	1000
L RF/BW	230	290	310	350	400	480	600	730	850	980	1100	1250	1450	1650	1850	2050	2250
D	165	185	200	235	270	300	360	425	485	555	620	730	845	960	1085	1185	1320
H	165	180	200	235	270	300	360	425	485	495	530	740	--	--	--	--	--

**FIG. 1314 - SWING CHECK VALVES DIN PN 40 - F1**

SIZE DN	50	65	80	100	125	150	200	250	300	350	400	500	600	700	800	900	1000
L RF/BW	230	290	310	350	400	480	600	730	850	980	1100	1250	1450	1650	1850	2050	2250
D	165	185	200	235	270	300	375	450	515	580	660	775	890	995	1140	1250	1360
H	150	180	200	225	270	300	355	390	445	495	530	740	--	--	--	--	--

**FIG. 1315 - SWING CHECK VALVES DIN PN 63 - F2**

SIZE DN	50	65	80	100	125	150	200	250	300	350	400	500	600	700	800	900	1000
L RF/BW	300	340	380	430	500	550	650	775	900	1025	1150	1400	1600	--	--	--	--
D	180	205	215	250	295	345	415	470	530	600	670	800	930	--	--	--	--
H	195	210	230	290	305	370	410	470	520	--	--	--	--	--	--	--	--

**FIG. 1316 - SWING CHECK VALVES DIN PN 100 - F2**

SIZE DN	50	65	80	100	125	150	200	250	300	350	400	500	600	700	800	900	1000
L RF/BW	300	340	380	430	500	550	650	775	900	1025	1150	1400	1600	--	--	--	--
D	195	220	230	265	315	355	430	505	585	655	715	870	990	--	--	--	--
H	195	210	230	290	305	370	410	470	520	--	--	--	--	--	--	--	--

**FIG. 1317 - SWING CHECK VALVES DIN PN 160 - F8**

SIZE DN	50	65	80	100	125	150	200	250	300	350	400	500	600	700	800	900	1000
L RF/BW	300	360	390	450	525	600	750	900	1050	1200	1350	1650	--	--	--	--	--
D	195	220	230	265	315	355	430	515	585	--	--	--	--	--	--	--	--
H	195	210	230	290	305	370	410	--	--	--	--	--	--	--	--	--	--

*features on request*

- DISK WITH PTFE OR RUBBER
- BY-PASS
- LEVER AND WEIGHT
- DRAIN PLUG
- SHOCK ABSORBER
- BW ENDS
- LOCKING DEVICE
- RTJ FLANGES
- INTEGRAL SEAT
- ANSI CONNECTIONS

All dimensions in mm (except where differently indicated)

All data, subject to technical changes, are only for information and not for official use.

VCEN VALVE CO.,LTD Add: Heyi industrial zone, Oubei town, Wenzhou city, Zhejiang, China.

ZheJiang province, China Post code: 325105 e-mail: vcen@vcenvalve.com website: www.vcenvalve.com

